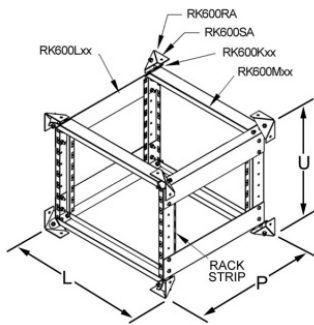


HARDWARE

flight case and cabinet components

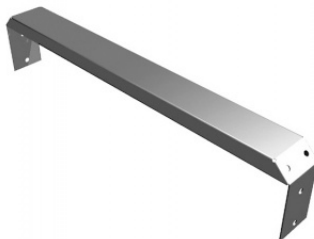
RACK SYSTEMS - vers. 02/2014



RK600

RK600 System

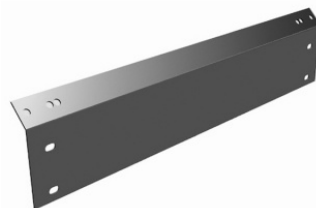
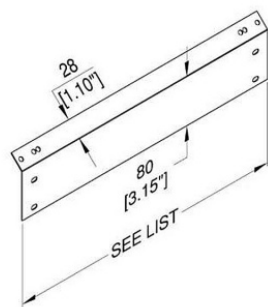
material: Steel
finish: Black



RK600M42

Crossbar

material: Steel
finish: Black
weight: 400 gr



RK600L36 - 46 - 56

Side bar

material: Steel
finish: Black
weight: 464 - 666 gr.



RK600RA

Mounting bracket

material: Steel
finish: Black



RK600SA

Corner bracket

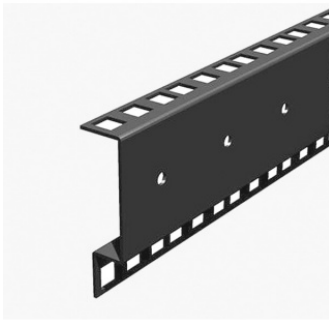
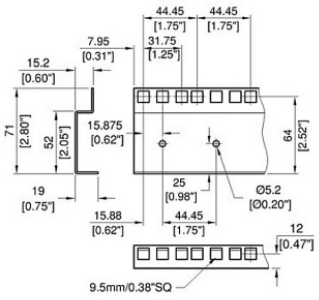
material: Steel
finish: Black
weight: 84 gr.



RK600K...

Shock mounts

weight: 235 - 300 gr.



RK1644N

Double rack strip

material: Steel (2 mt)

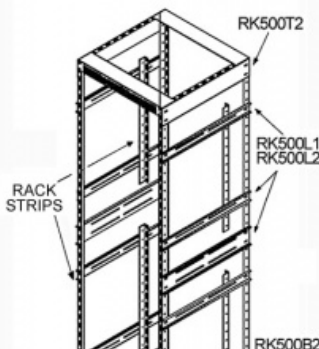
finish: Black

weight: 1010 gr/mt



RK600SV

Screws

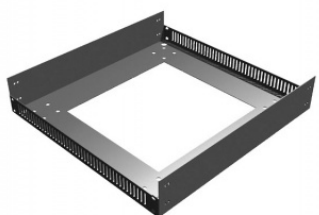


RK500

RK500 System

material: Steel

finish: Black

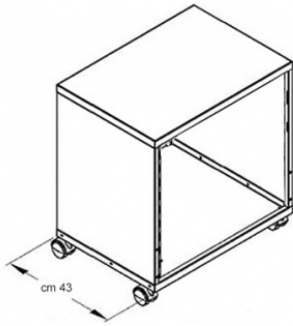


RK500B2

Base unit

material: Steel

finish: Black



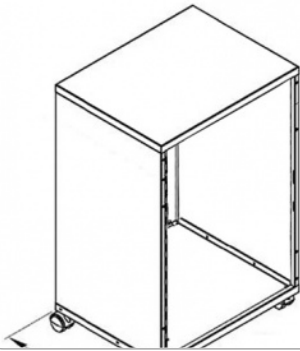
RK900M08

8 spaces 19" professional rack unit

material: Steel 12/10

finish: Black

weight: kg 15,9



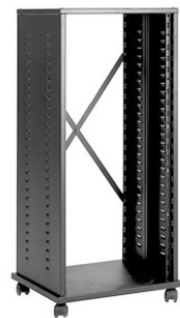
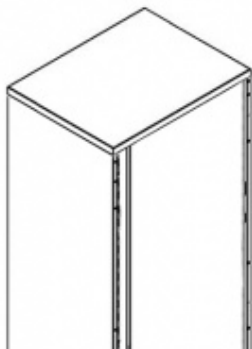
RK900M12

12 spaces 19" professional rack unit

material: Steel 12/10

finish: Black

weight: kg 18,9



RK900M24

24 spaces 19" professional rack unit

material: Steel 12/10

finish: Black

weight: kg 28,2