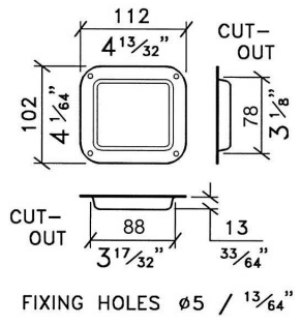


HARDWARE

flight case and cabinet components

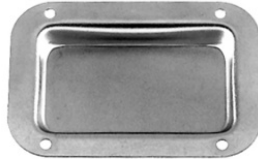
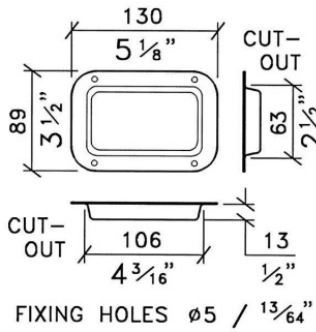
DISHES - vers. 02/2014



AC7102 - 02N

Square plain dish - Zinc and black

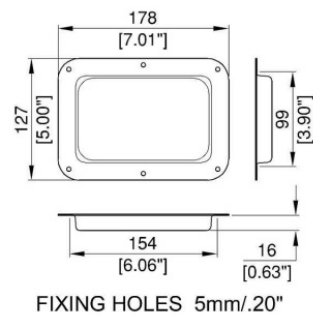
material: Steel 12/10
finish: Zinc - N = Black
weight: 130 gr



AC7002 - 02N

Rectangular plain dish - Zinc and black

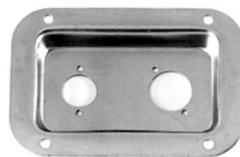
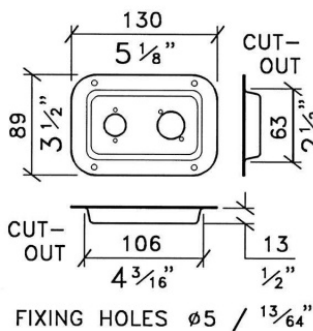
material: Steel 12/10
finish: Zinc - N = Black
weight: 130 gr



AC7372 - 72N

Large plain dish - Zinc and black

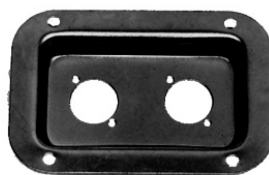
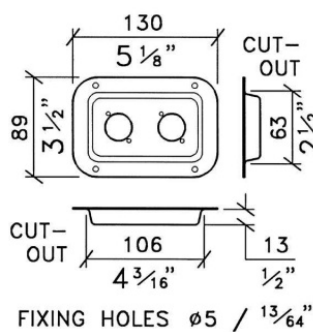
material: Steel 15/10
finish: Zinc - N = Black
weight: 300 gr



AC7012 - 12N

Dish punched for XLR connectors - Zinc and black

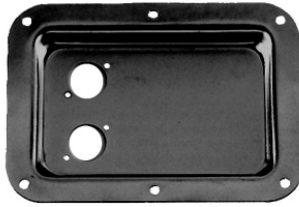
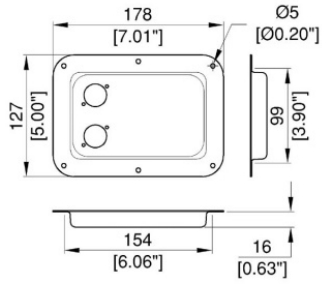
material: Steel 12/10
finish: Zinc - N = Black
weight: 130 gr



AC7042 - 42N

Dish punched for connectors - Zinc and black

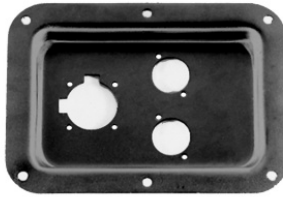
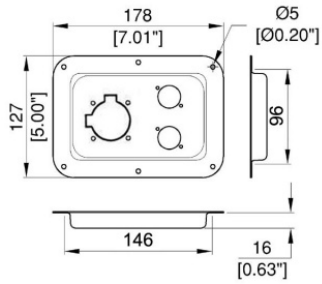
material: Steel 12/10
finish: Zinc - N = Black
weight: 130 gr



AC7372D - 72DN

Large dish punched for connectors -
Zinc and black

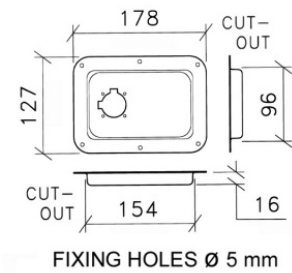
material: Steel 12/10
finish: Zinc - N = Black
weight: 300 gr



AC7372DS - 72DSN

Large dish punched for connectors -
Zinc and black

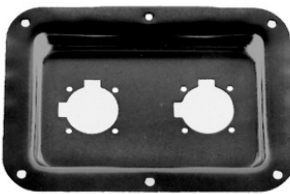
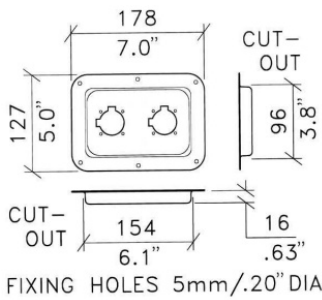
material: Steel 12/10
finish: Zinc - N = Black
weight: 300 gr



AC7372S - 72SN

Large dish punched for connector -
Zinc and black

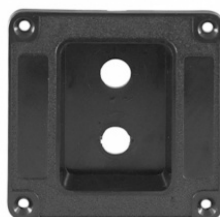
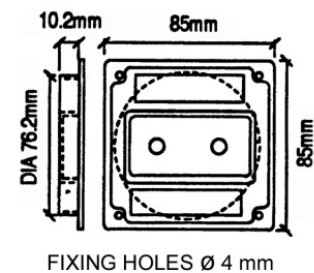
material: Steel 12/10
finish: Zinc - N = Black
weight: 300 gr



AC7372SS - 72SSN

Large dish punched for connectors -
Zinc and black

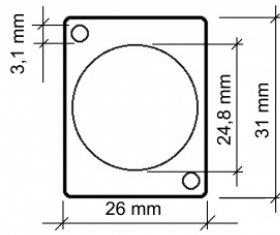
material: Steel 12/10
finish: Zinc - N = Black
weight: 300 gr



PL4782

Square plastic dish

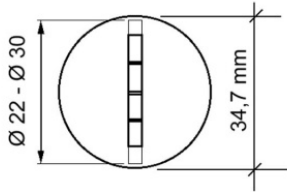
material: A.B.S.
finish: Black
weight: 20 gr



7TPXLR

Blanking plug

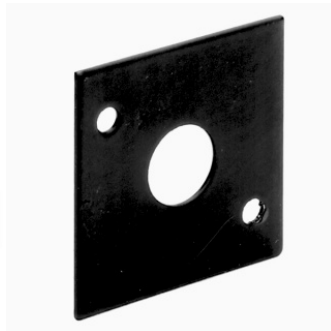
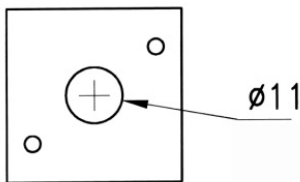
material: Plastic
 finish: Black
 weight: 3 gr



7TP2230

Blanking plug

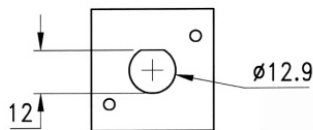
material: Plastic
 finish: Black
 weight: 3 gr



7TP2511

Cover plate - Reduction holes for XLR to Jack

material: Steel 12/10
 finish: Black
 weight: 10 gr



7TP25BNC

Cover plate - Reduction holes for XLR to BNC

material: Steel 12/10
 finish: Black
 weight: 10 gr